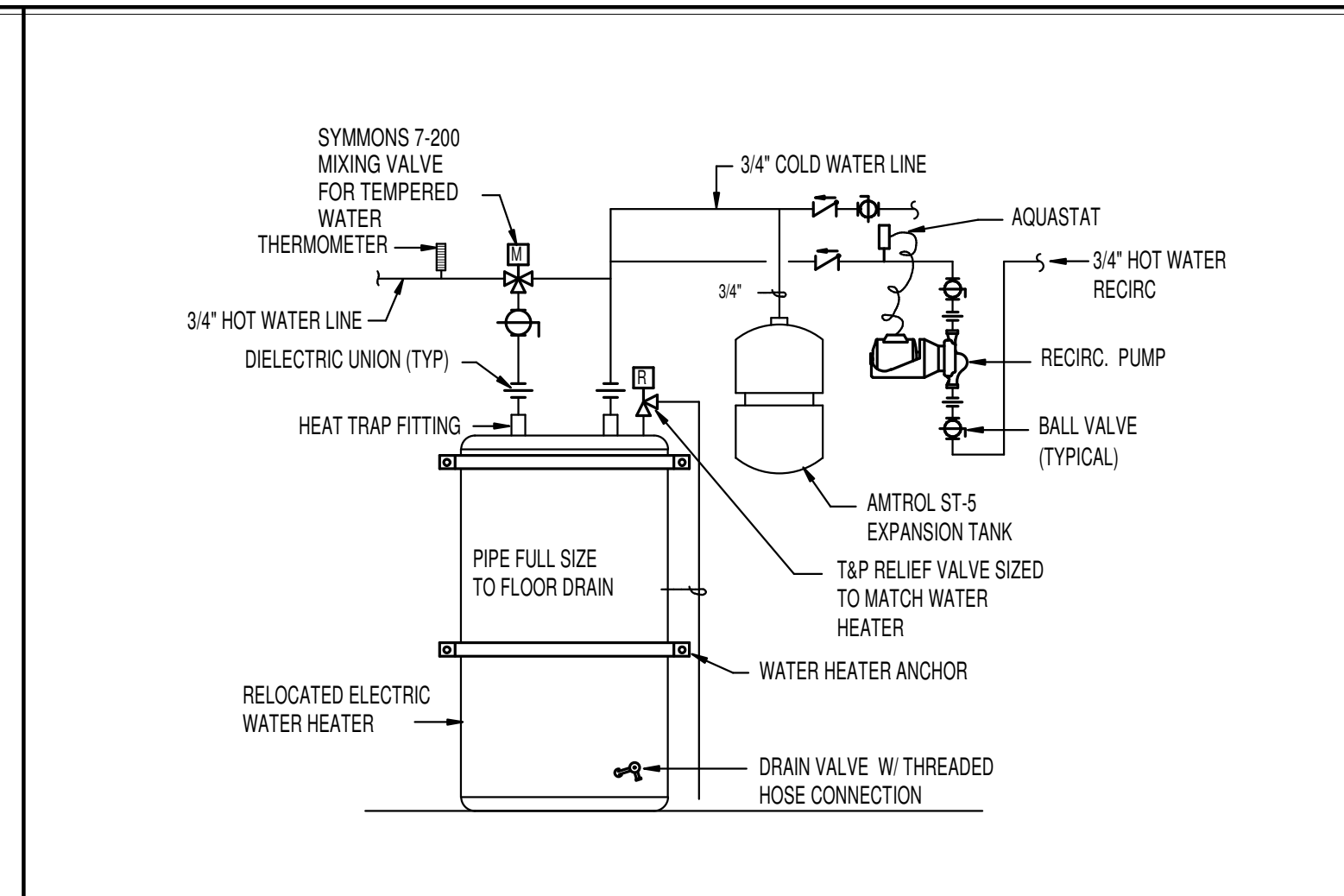
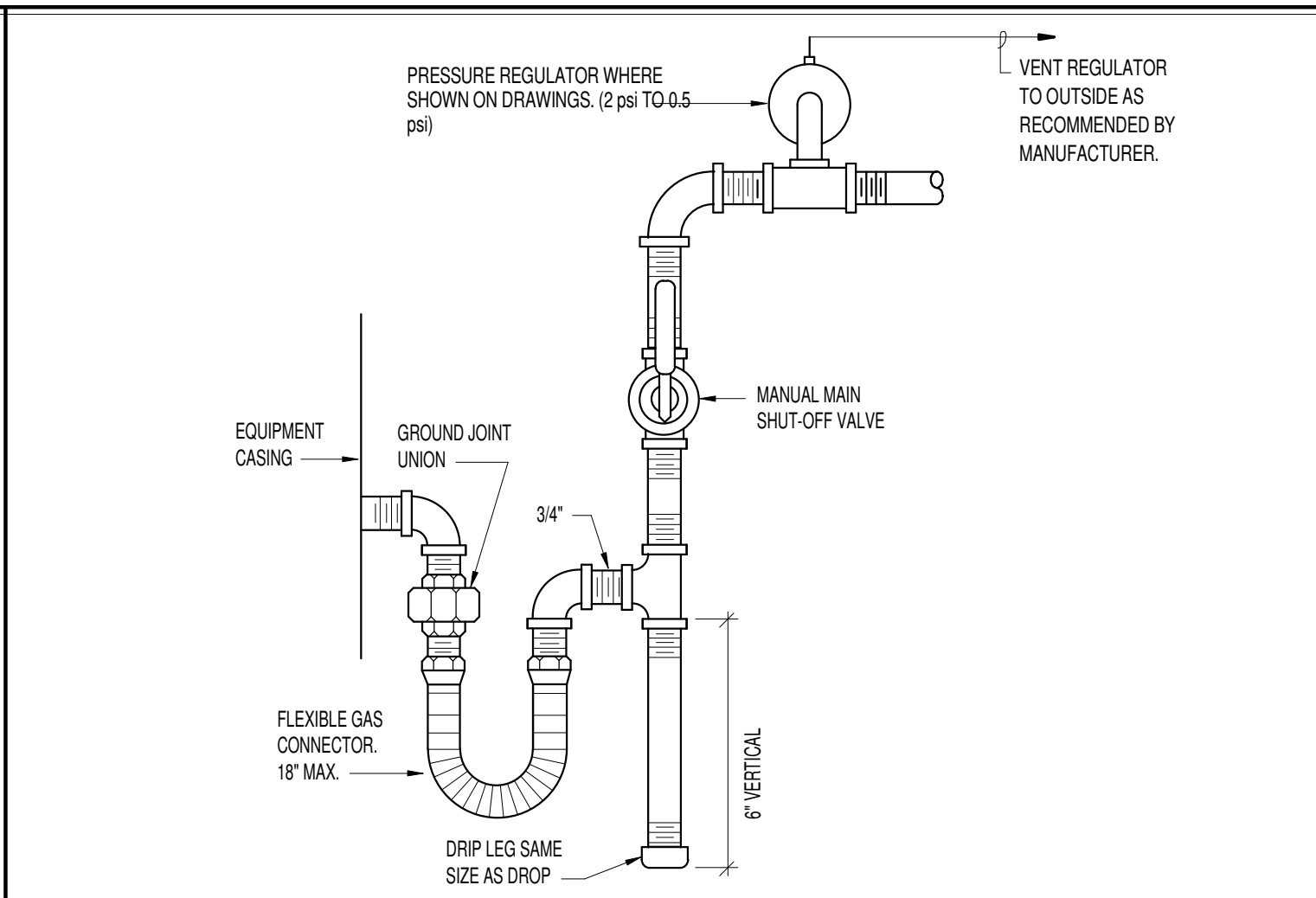


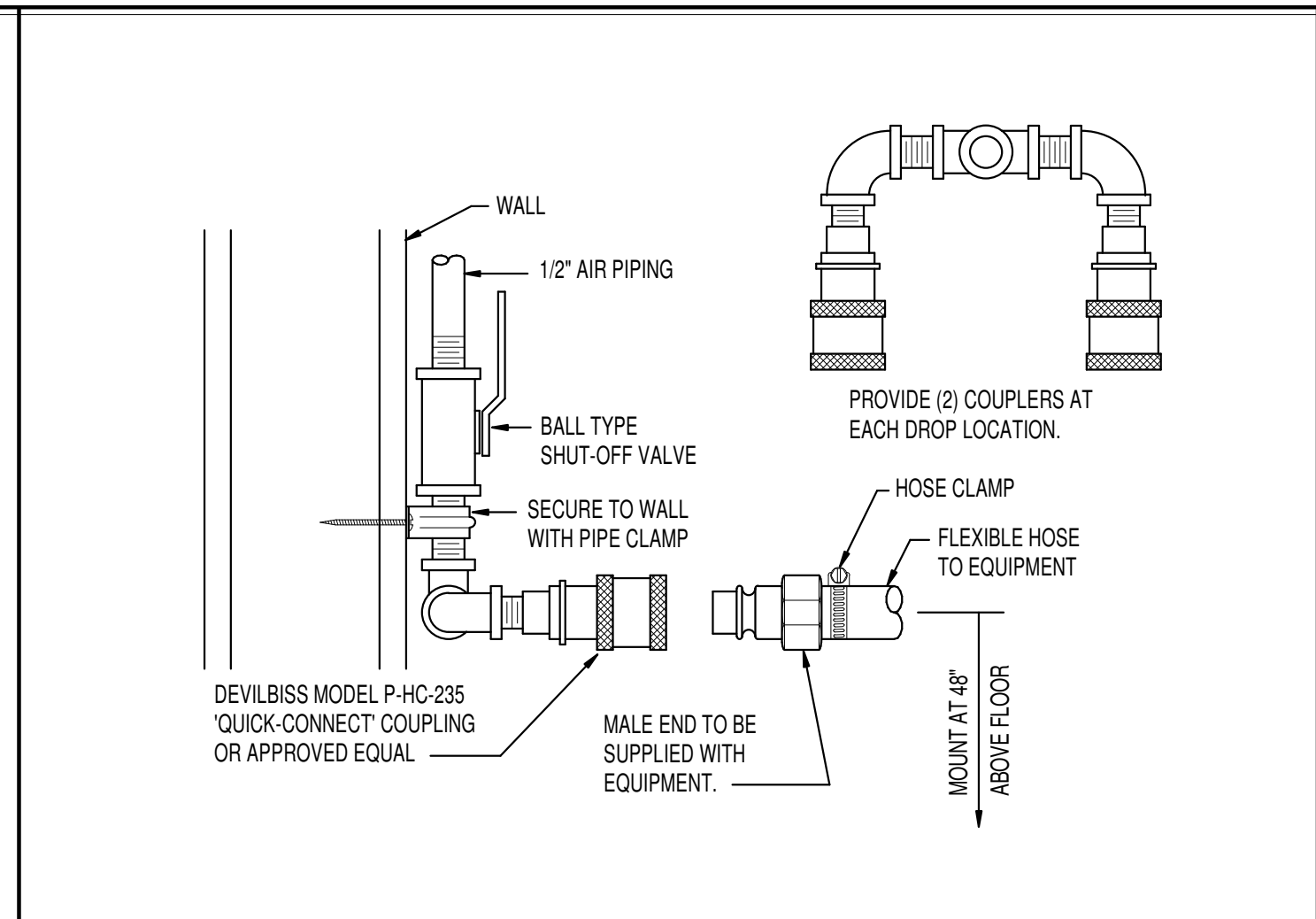
**A HOSE BIBB INSTALLATION DETAIL** NO SCALE



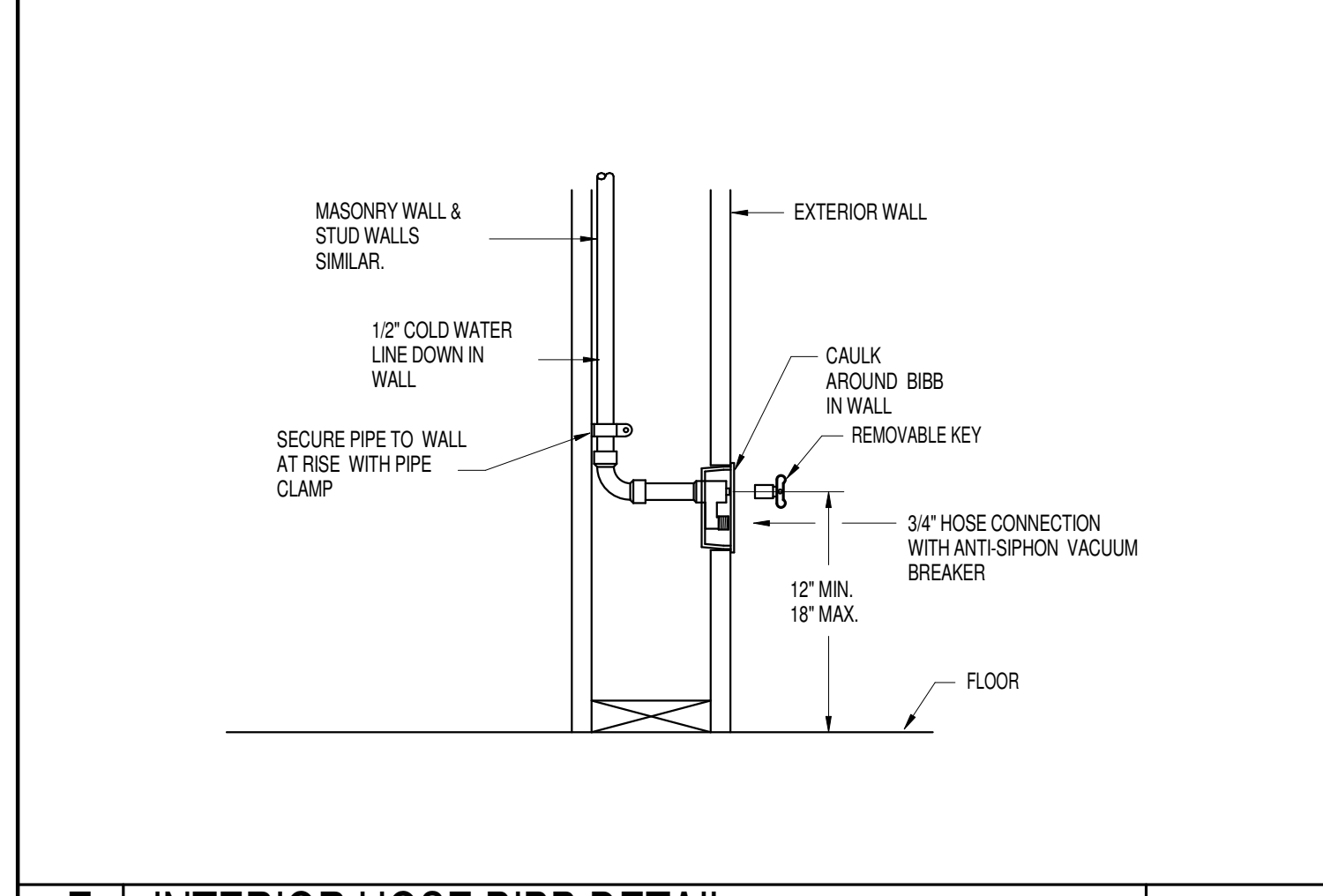
**B ELECTRIC WATER HEATER PIPING DIAGRAM** NO SCALE



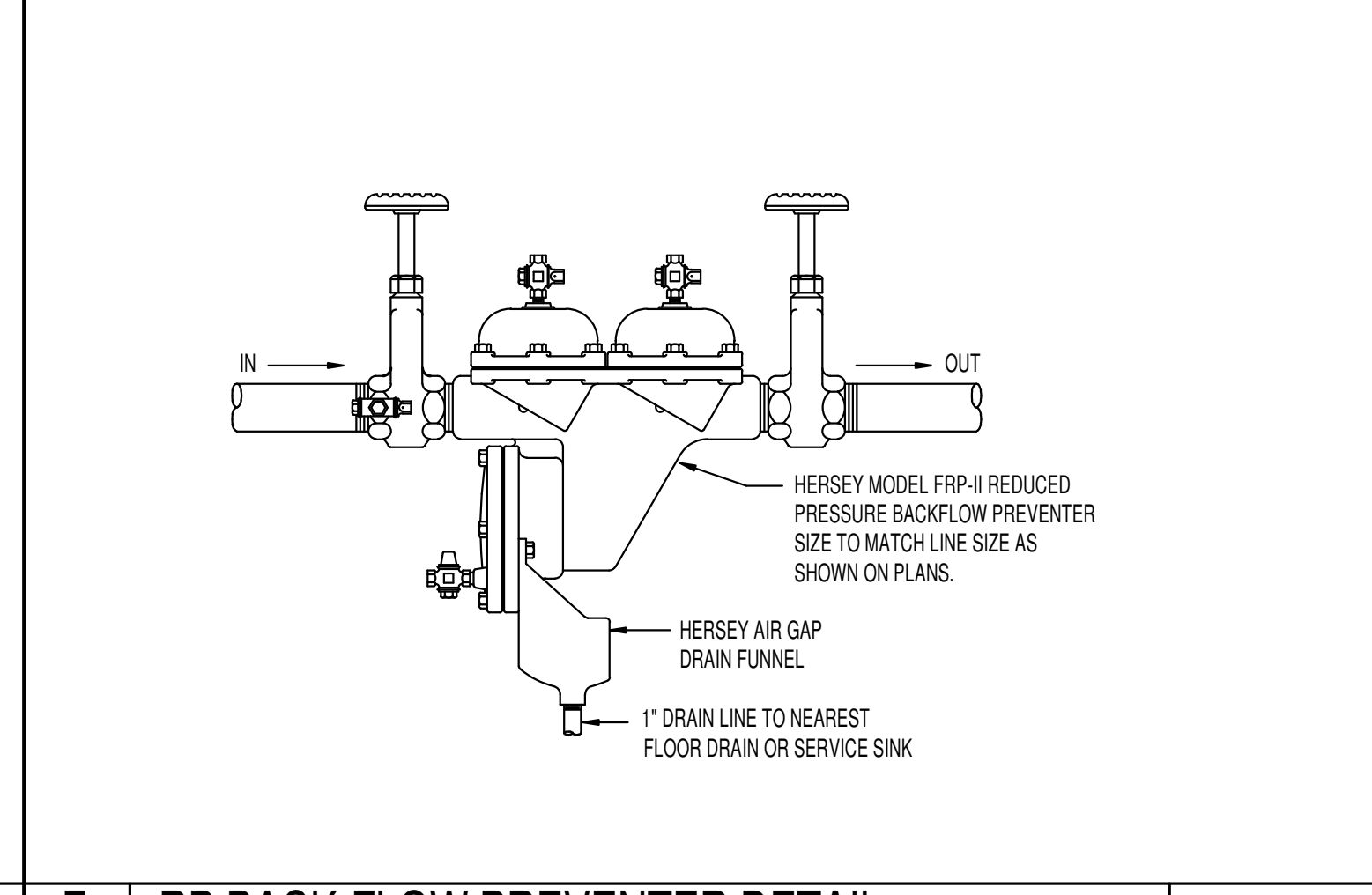
**C INTERIOR GAS LINE CONNECTION DETAIL** NO SCALE



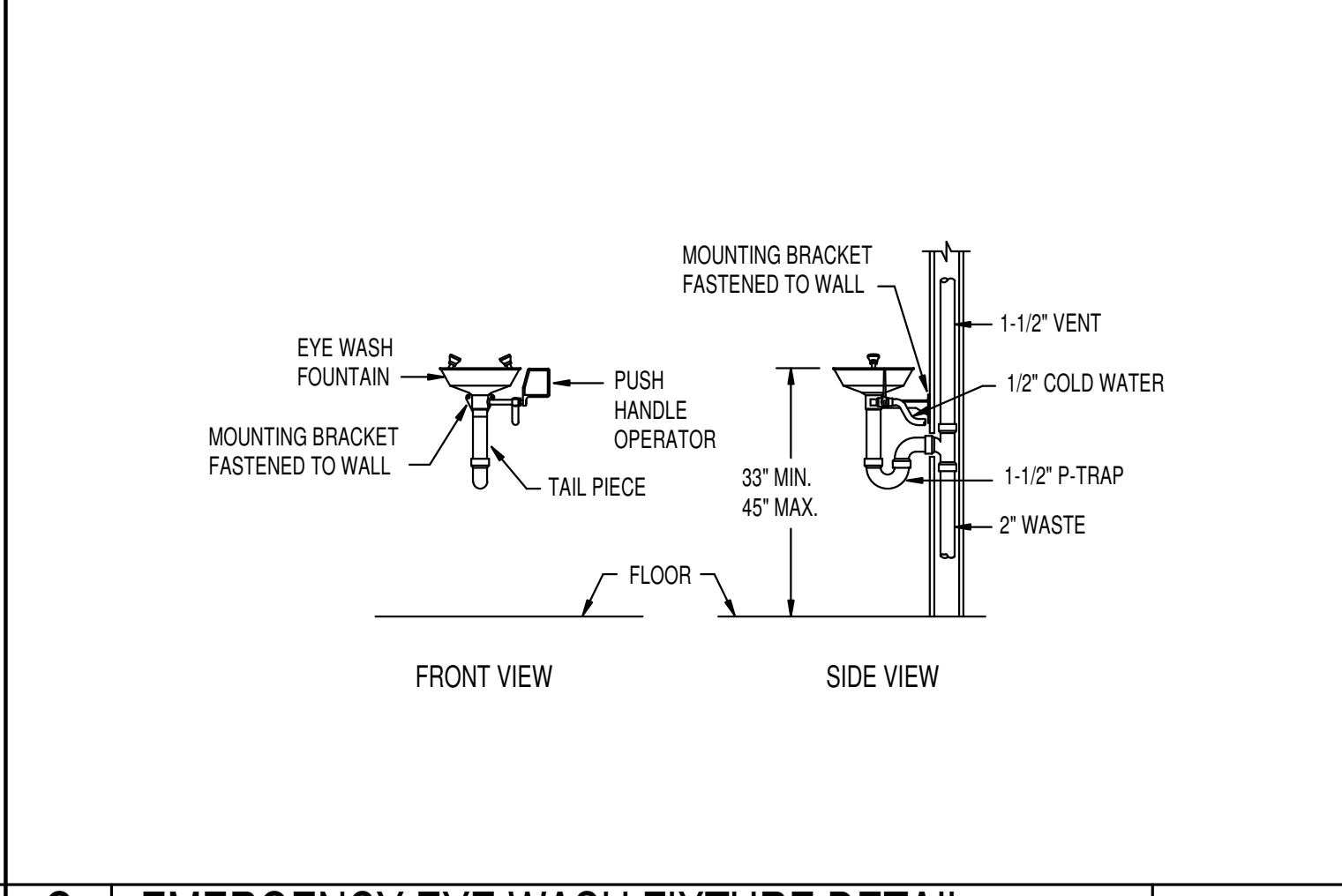
**D COMPRESSED AIR OUTLET DETAIL** NO SCALE



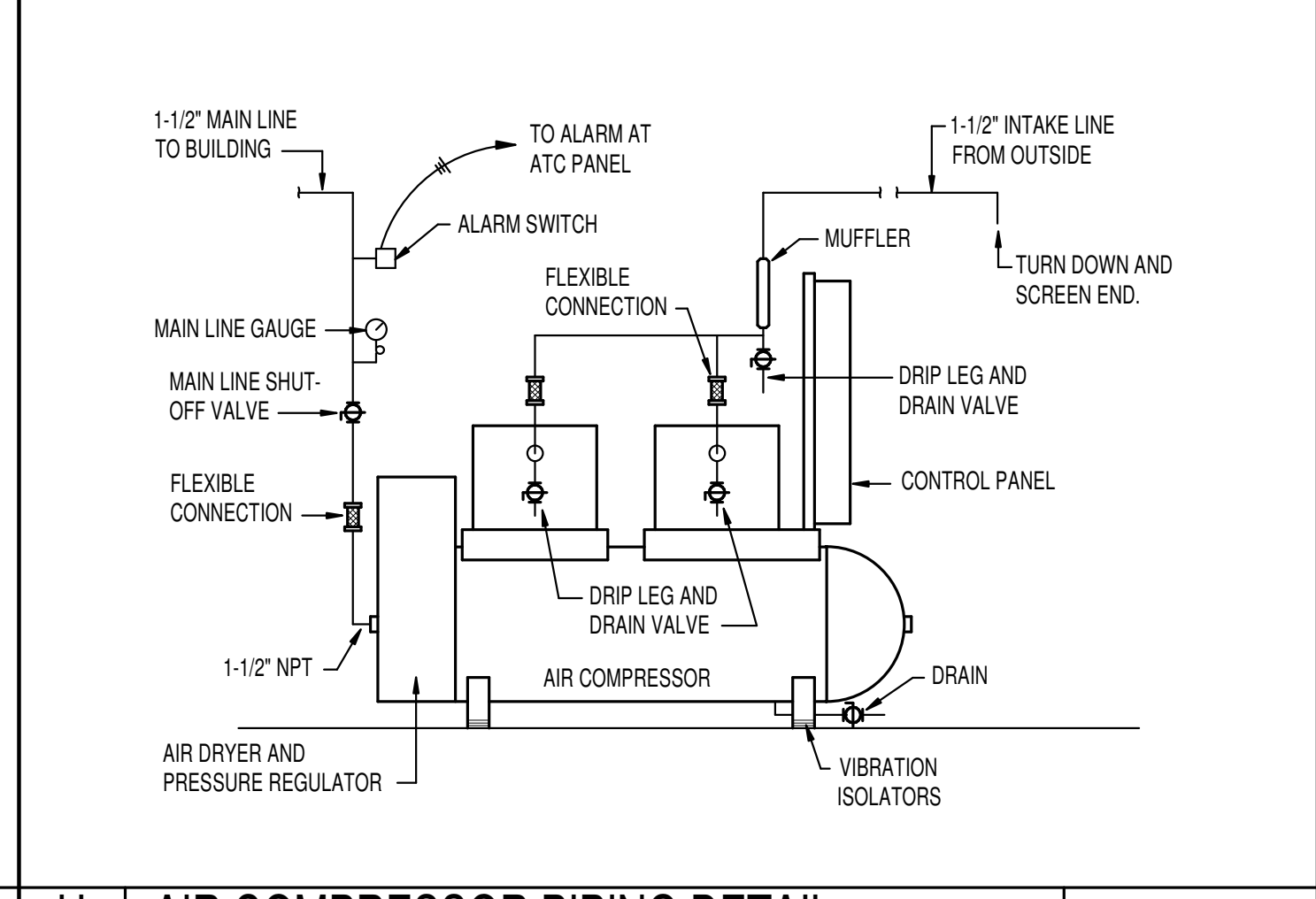
**E INTERIOR HOSE BIBB DETAIL** NO SCALE



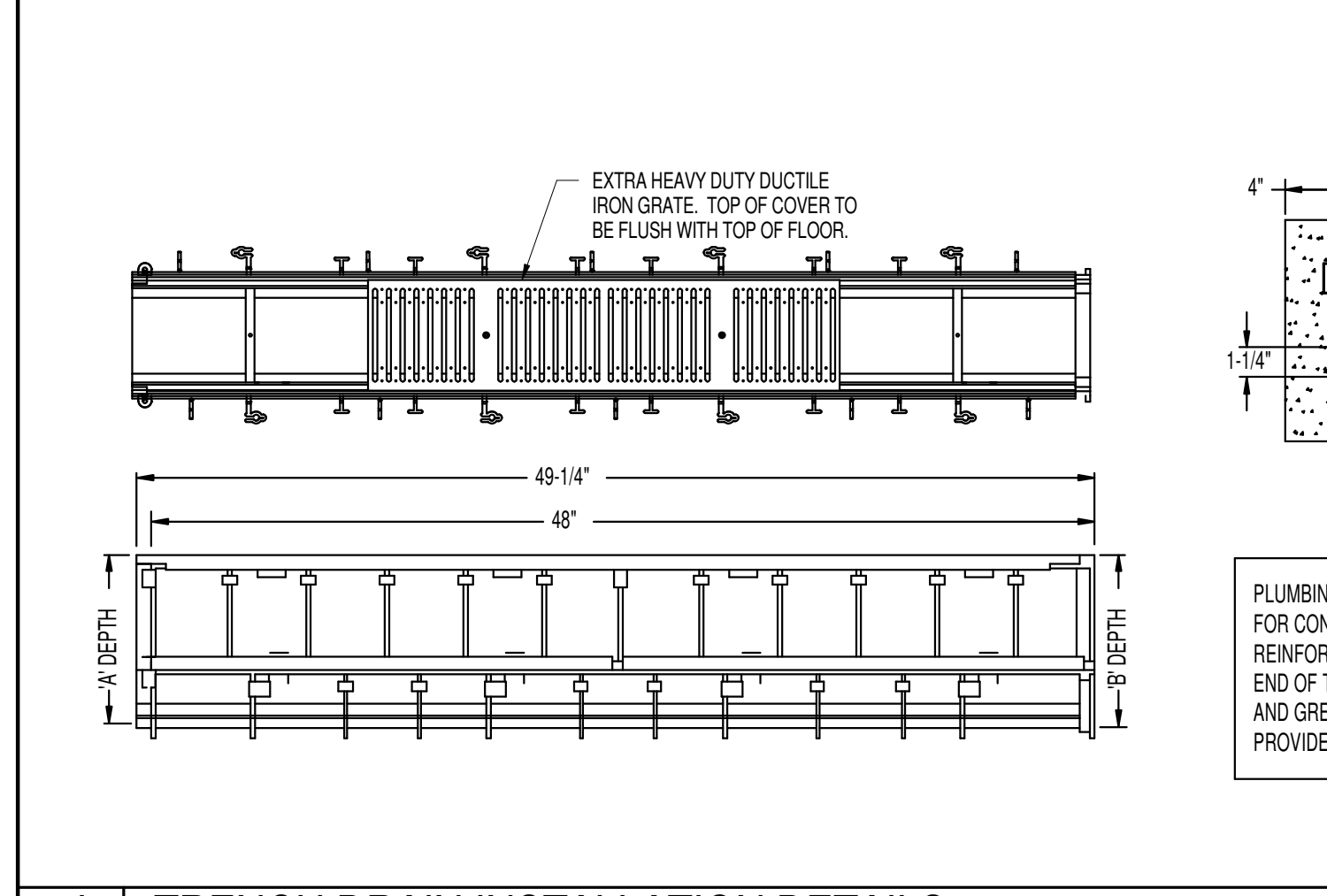
**F RP BACK-FLOW PREVENTER DETAIL** NO SCALE



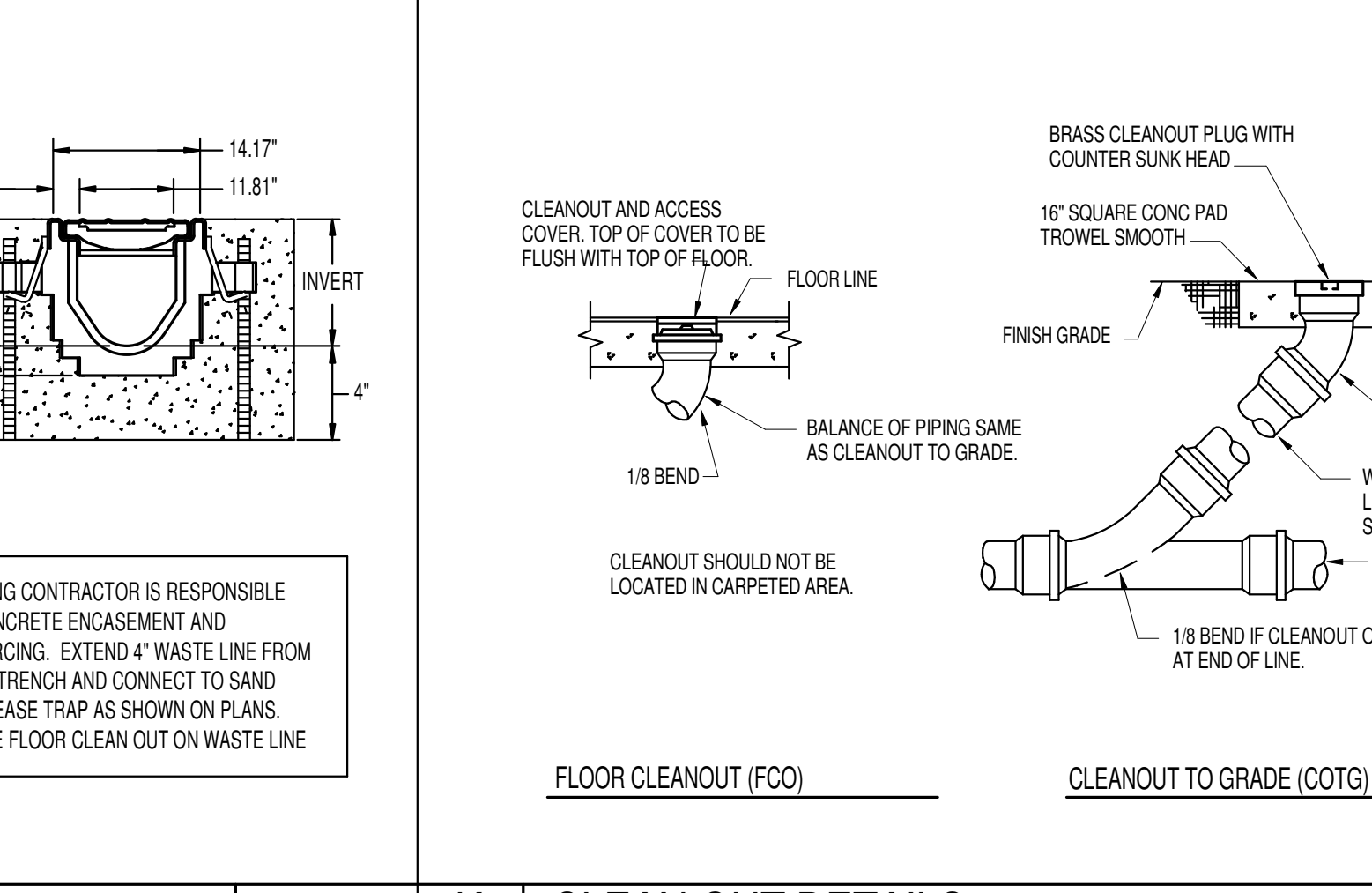
**G EMERGENCY EYE WASH FIXTURE DETAIL** NO SCALE



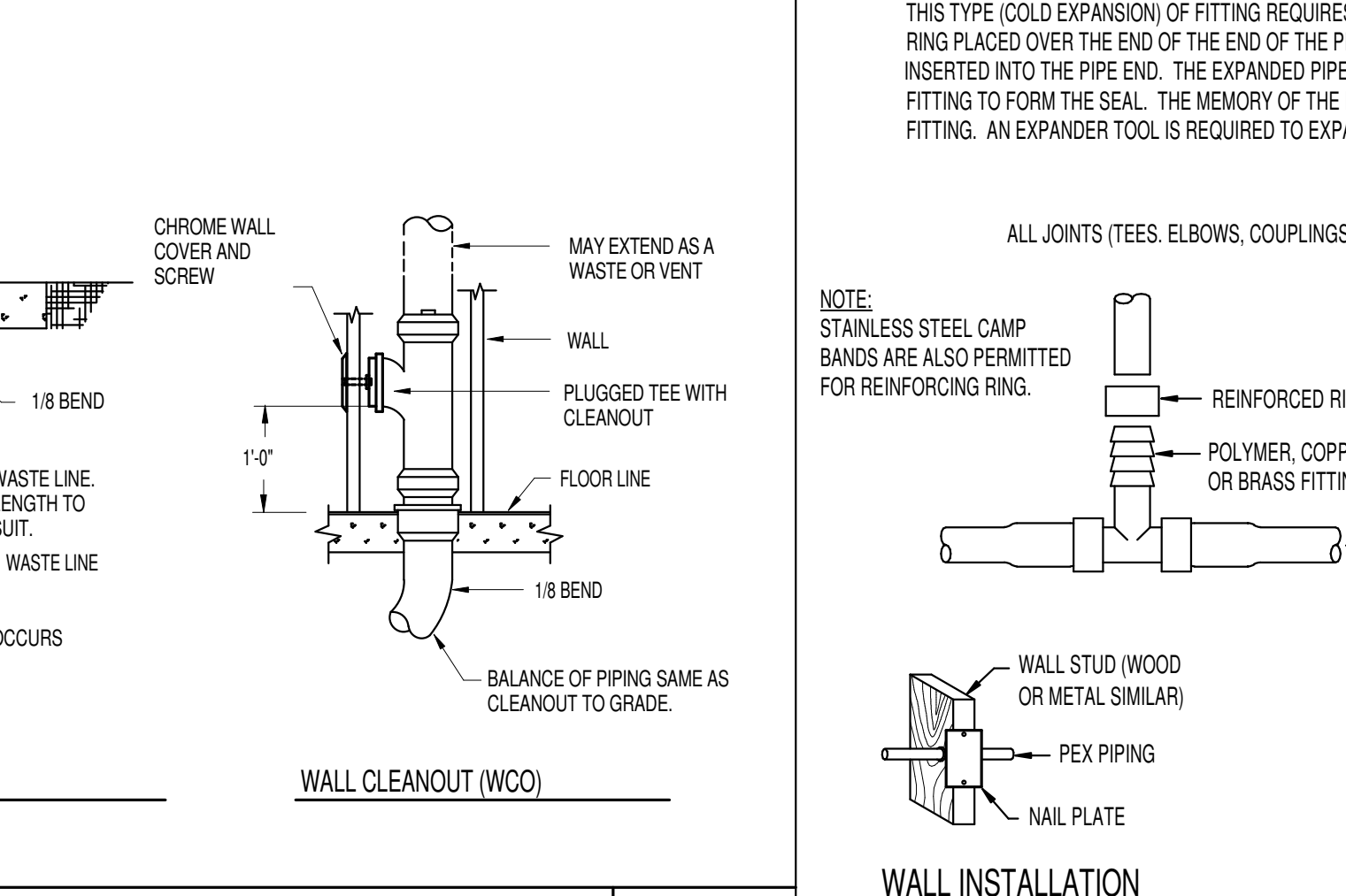
**H AIR COMPRESSOR PIPING DETAIL** NO SCALE



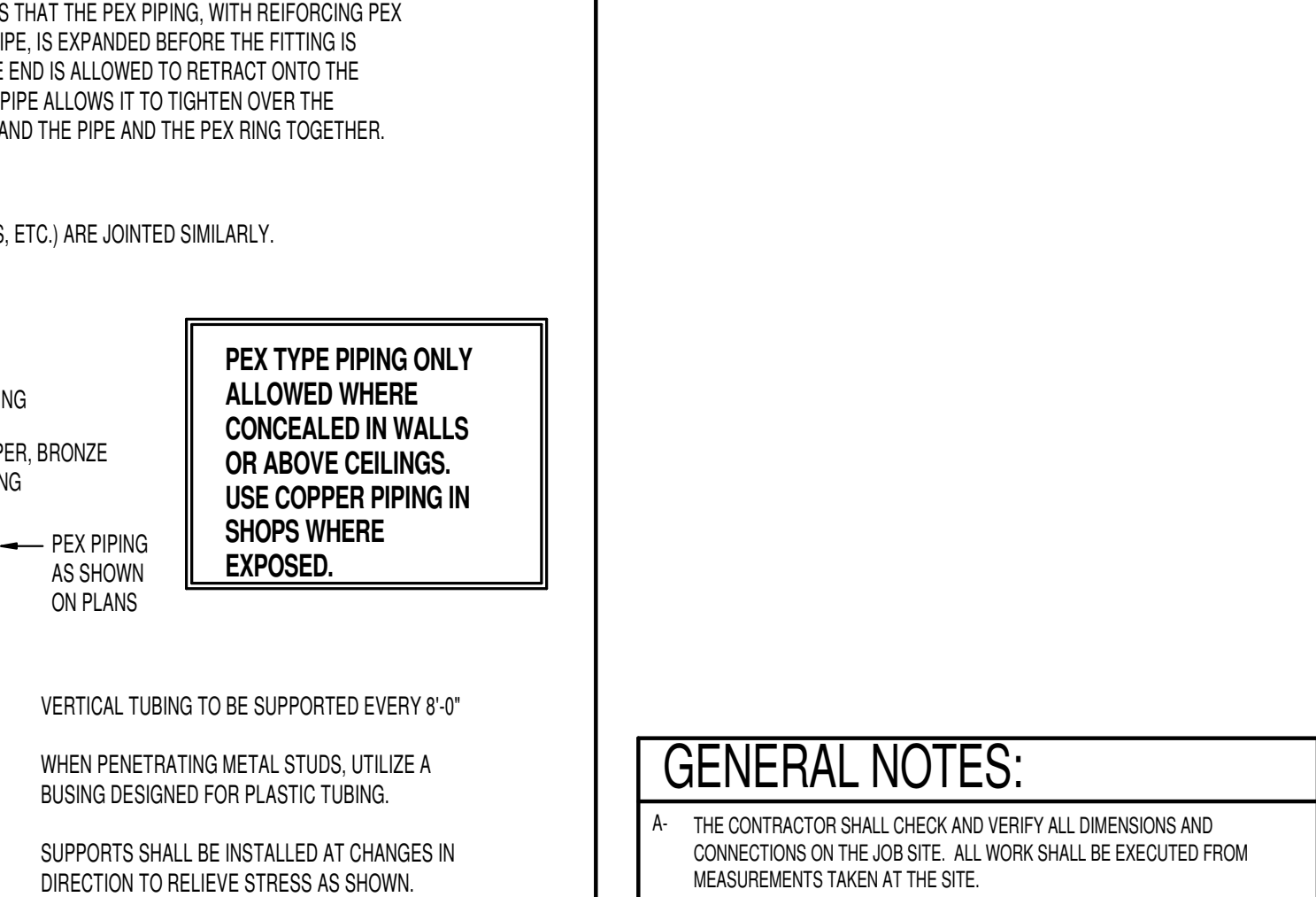
**J TRENCH DRAIN INSTALLATION DETAILS** NO SCALE



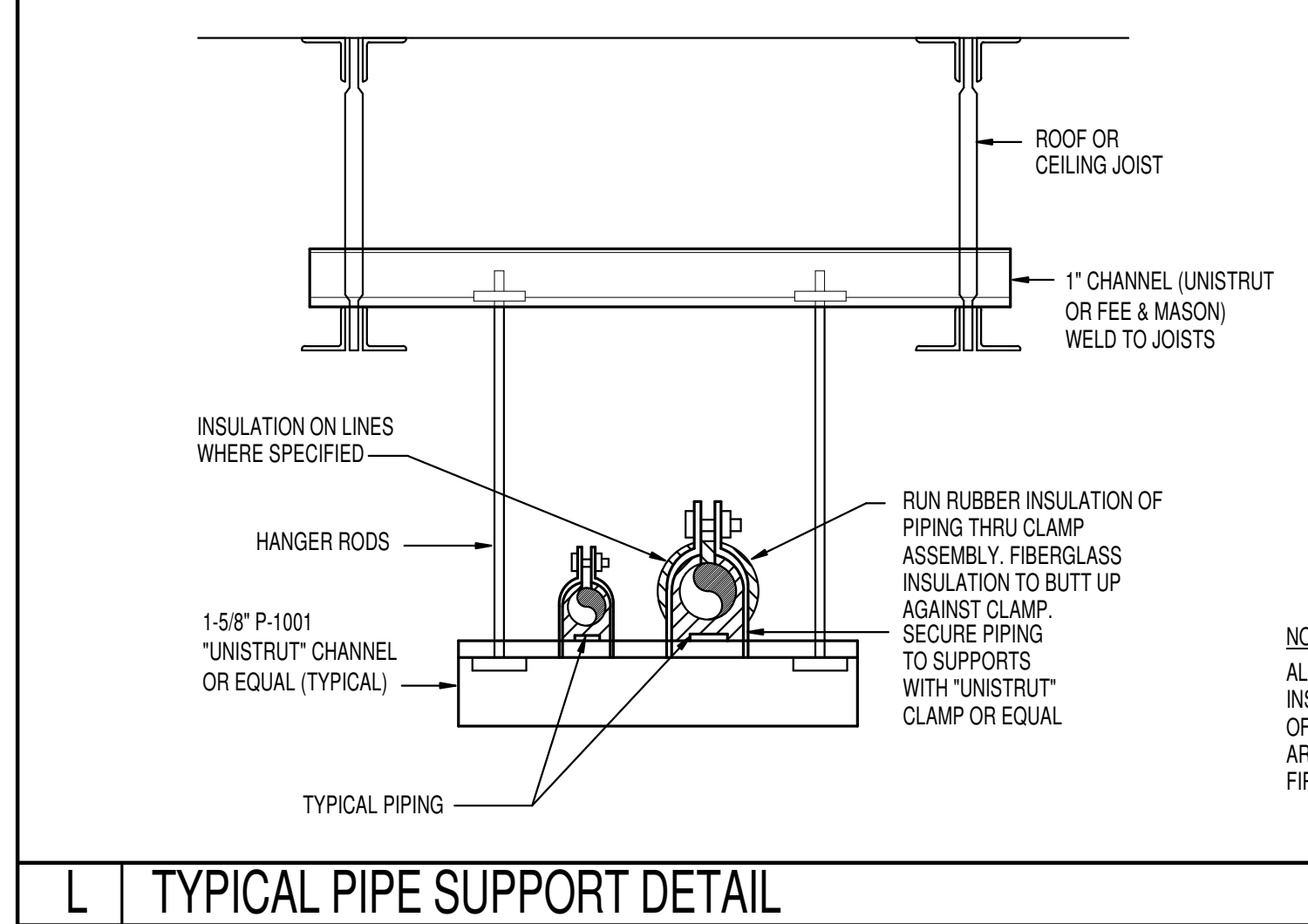
**K CLEAN OUT DETAILS** NO SCALE



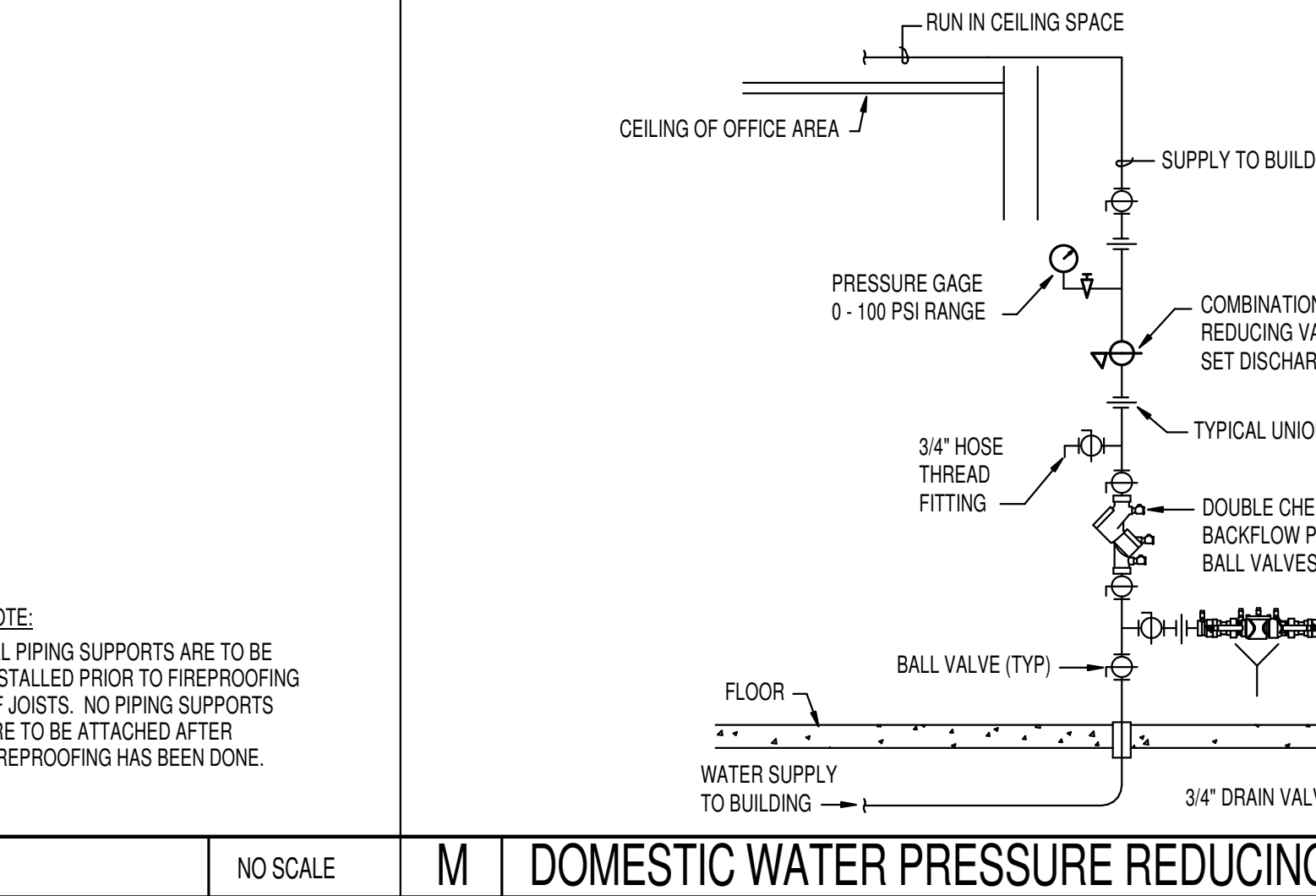
**L TYPICAL PIPE SUPPORT DETAIL** NO SCALE



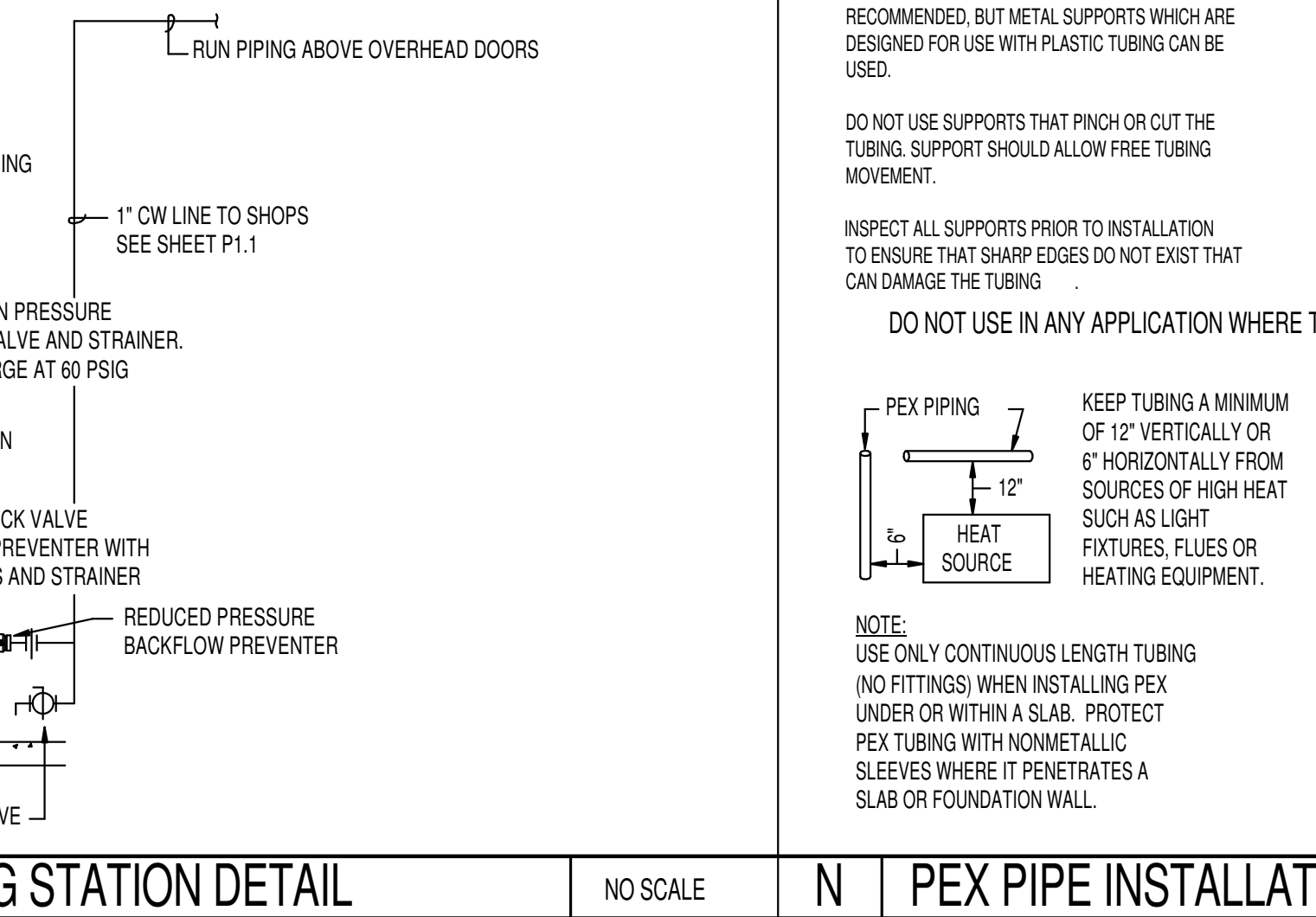
**M DOMESTIC WATER PRESSURE REDUCING STATION DETAIL** NO SCALE



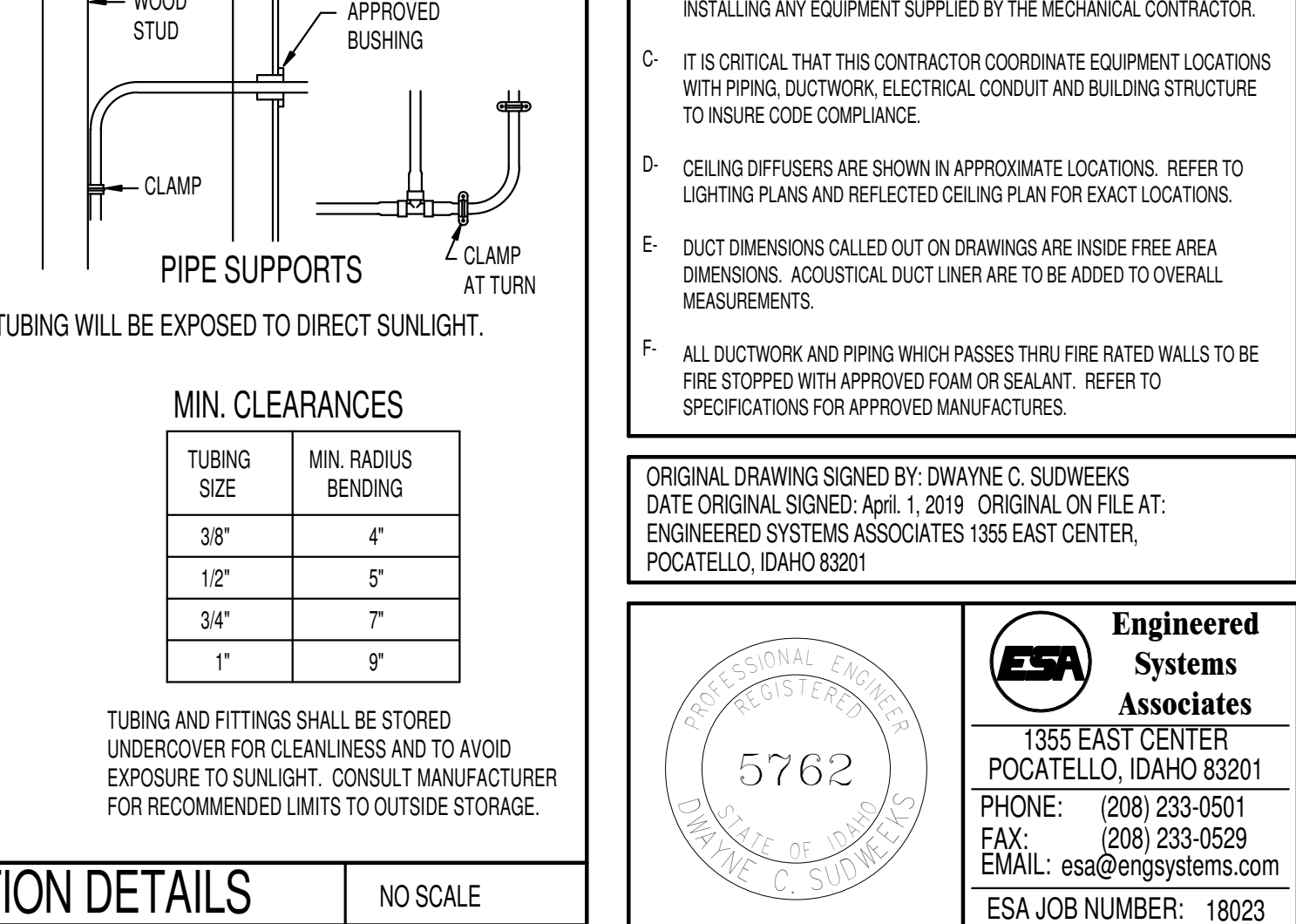
**N PEX PIPE INSTALLATION DETAILS** NO SCALE



**O WALL INSTALLATION** NO SCALE



**P PIPE SUPPORTS** NO SCALE



**Q MIN. CLEARANCES** NO SCALE

DATE: \_\_\_\_\_

A NEW FACILITY FOR:  
**BURLEY HIGHWAY DISTRICT**  
**PLUMBING DETAILS**

**Laughlin Ricks Architecture**  
 architecture/planning  
 935 Shoshone Street North • Twin Falls, Idaho 83301  
 (208) 736-8050 Fax: (208) 733-0950

DATE: 11/30/18  
 MLJ DCS  
 Drawn Checked

**P3.1**

**GENERAL NOTES:**

- THE CONTRACTOR SHALL CHECK AND VERIFY ALL DIMENSIONS AND CONNECTIONS ON THE JOB SITE. ALL WORK SHALL BE EXECUTED FROM MEASUREMENTS TAKEN AT THE SITE.
- THE MECHANICAL CONTRACTOR SHALL BE RESPONSIBLE TO INSURE PROPER CODE CLEARANCES FOR ELECTRICAL AND MECHANICAL ACCESS WHEN INSTALLING ANY EQUIPMENT SUPPLIED BY THE MECHANICAL CONTRACTOR.
- IT IS CRITICAL THAT THIS CONTRACTOR COORDINATE EQUIPMENT LOCATIONS WITH PIPING, DUCTWORK, ELECTRICAL CONDUIT AND BUILDING STRUCTURE TO INSURE CODE COMPLIANCE.
- CEILING DIFFUSERS ARE SHOWN IN APPROXIMATE LOCATIONS. REFER TO LIGHTING PLANS AND REFLECTED CEILING PLAN FOR EXACT LOCATIONS.
- DUCT DIMENSIONS CALLED OUT ON DRAWINGS ARE INSIDE FREE AREA DIMENSIONS. ACOUSTICAL DUCT LINER ARE TO BE ADDED TO OVERALL MEASUREMENTS.
- ALL DUCTWORK AND PIPING WHICH PASSES THRU FIRE RATED WALLS TO BE FIRE STOPPED WITH APPROVED FOAM OR SEALANT. REFER TO SPECIFICATIONS FOR APPROVED MANUFACTURERS.

ORIGINAL DRAWING SIGNED BY: DWAYNE C. SUDWEEKS  
 DATE ORIGINAL SIGNED: April 1, 2019 ORIGINAL ON FILE AT:  
 ENGINEERED SYSTEMS ASSOCIATES 1355 EAST CENTER,  
 POCATELLO, IDAHO 83201

**Engineered Systems Associates**  
 1355 EAST CENTER  
 POCATELLO, IDAHO 83201  
 PHONE: (208) 233-0501  
 FAX: (208) 233-0529  
 EMAIL: esa@engsys.com  
 ESA JOB NUMBER: 18023

PROFESSIONAL ENGINEER  
 REGISTERED  
 DWAYNE C. SUDWEEKS  
 5762